

**VENTOSAS**  
VACUUM CUPS

**USOS ESPECIALES**  
SPECIAL USE



**CARACTERÍSTICAS · CHARACTERISTICS**

|  |       |
|--|-------|
| Ø reposo / Ø trabajo Ø unloaded / Ø loaded   | [mm]  |
| Mín. radio de curvatura Minimum curve radius | [mm]  |
| Carrera máxima Maximum stroke                | [mm]  |
| Volumen Volume                               | [cm³] |
| Peso Weight                                  | [g]   |
| Fuerza a -0,4 bar Force at -0,4 bar          | [Kgf] |
| Fuerza a -0,6 bar Force at -0,6 bar          | [Kgf] |
| Fuerza a -0,8 bar Force at -0,8 bar          | [Kgf] |
| Fuerza a -0,9 bar Force at -0,9 bar          | [Kgf] |

**CÓMO PEDIR · HOW TO ORDER**

- Ventosa de nitrílico sin racor  
Nitrile vacuum cup without fitting
  - Ventosa de silicona sin racor  
Silicone vacuum cup without fitting
  - Ventosa de caucho natural sin racor  
Natural rubber vacuum cup without fitting
- Racor de montaje estándar  
Standard fitting part

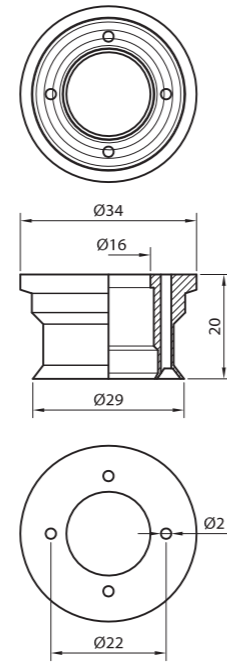
Ejemplo Example: CV56NIT + RACCVA56RM010M

ADECUADAS PARA  
SUITABLE FOR

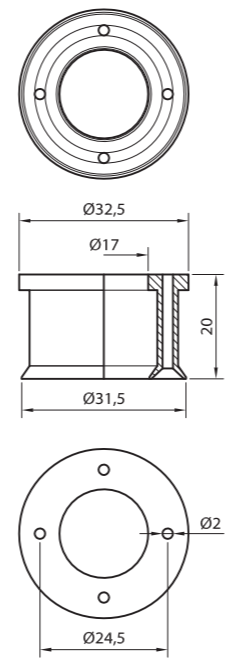
CD's  
CD's

Botellas  
Bottles

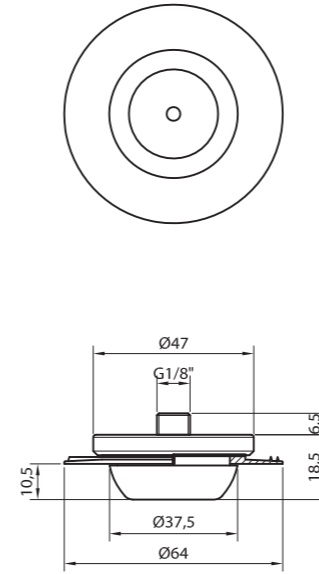
**VDC Ø 27**



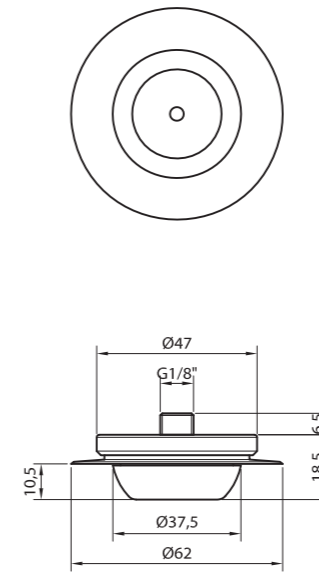
**VDC Ø 31**



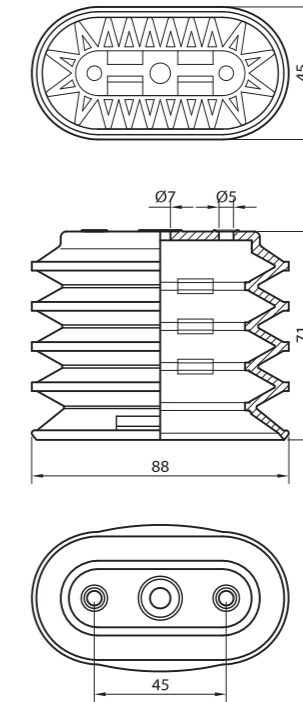
**CVA Ø 56 E2**



**CVA Ø 56**



**VGf 90 x 45/5**



|  |         |         |               |               |                |
|--|---------|---------|---------------|---------------|----------------|
|  | 29      | 31,5    | 64            | 62            | 88x46 / 89x52  |
|  | --      | --      | --            | --            | 30             |
|  | --      | --      | --            | --            | 42             |
|  | --      | --      | --            | --            | 110            |
|  | 8       | --      | 182           | 182           | 86             |
|  | --      | --      | 2,24          | 2,24          | 8,78           |
|  | --      | --      | 3,36          | 3,36          | 11,1           |
|  | --      | --      | 4,48          | 4,48          | 12,9           |
|  | --      | --      | 5,04          | 5,04          | 12,8           |
|  | --      | --      | --            | CV56NIT       | --             |
|  | VDC27SB | VDC31SB | --            | --            | --             |
|  | --      | --      | CV56E2SH60CN  | --            | VGf90x45/5DH3* |
|  | --      | --      | RACCVA56R1/8M | RACCVA56R1/8M | RAC34R1/4H     |

\* Caucho azul en doble dureza (60 °Sh el cuerpo, 40°Sh el labio) Blue, double hardness natural rubber (60°Sh body, 40°Sh lip)